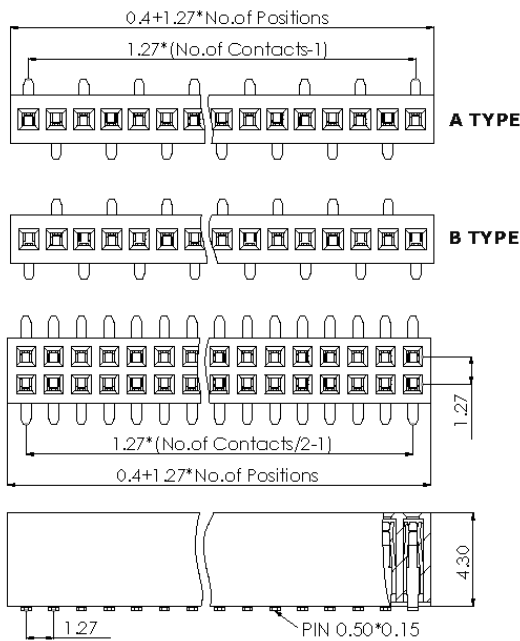
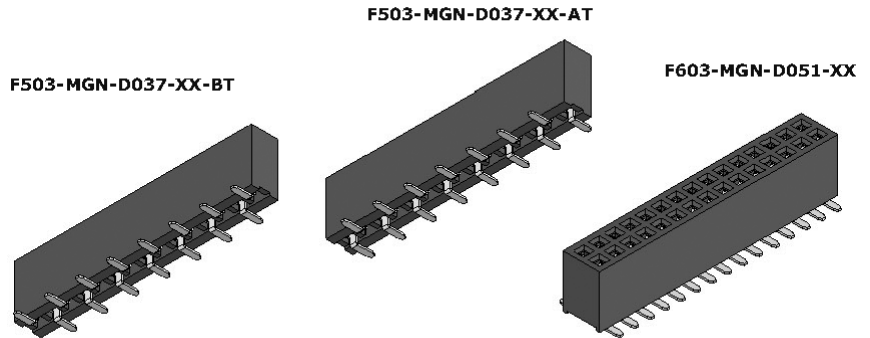


## Female Header 1.27 mm

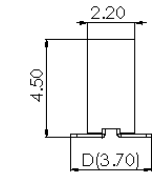
SMT Series

### SPECIFICATIONS

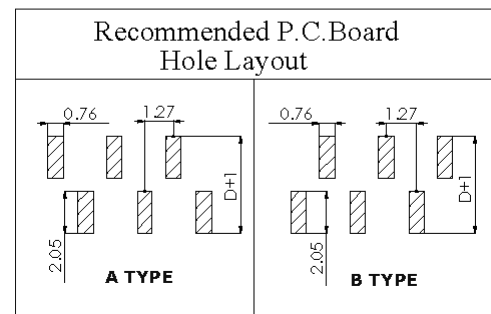
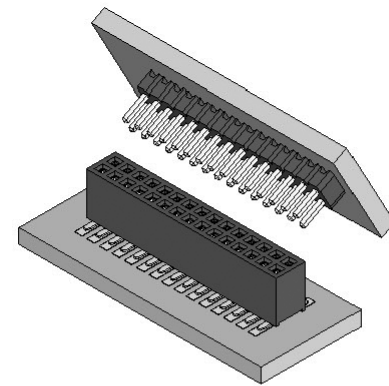
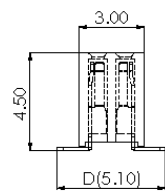
Current Rating: 1 A  
 Insulator Resistance: 1000 MOhm min.  
 Contact Resistance: 20 mOhm max.  
 Dielectric Withstanding: AC 500 V  
 Operating Temperature: -40°C ~ +105°C  
 Soldering Temperature: 260°C for 3~5 sec. max  
 Contact Material: Phosphor Bronze  
 Insulator Material: Polyester, UL 94V-0  
 Standard: Nylon-6T  
 Finish: Tin, Gold or Duplex Plated  
 Standard: Gold Flash all over  
 Note: Duplex Plating: Gold Plated on contact area, Tin on solder area



[F503] -XT



[F603]



### How to order

Unit: mm

Series	Connector Type	Contact Plating	Material	Pin Length mm	Number of Contacts	Other
<b>FXXX</b>	<b>- X</b>	<b>X</b>	<b>X -</b>	<b>DXXX</b>	<b>- XX</b>	<b>- XT</b>
F503: F/H 1.27 H: 4.30 Single Row F603: F/H 1.27 H: 4.30 Dual Row	M: SMT Type	G: Gold Flash T: Tin Plated A: 10U" Gold B: 15U" Gold C: 20U" Gold ⊙ Duplex Plating D: Gold Flash/Tin (Standard: G)	N: Nylon-6T (Standard: N)	M-D D037 D051	F503: (02 TO 40 Contacts) F603: (04 TO 80 Contacts)	AT: A TYPE BT: B TYPE